



VACUUM PACKAGING

DOUBLE CHAMBER VACUUM PACKAGING MACHINE

Item: 43632 Model: VP-CN-0600

“HEAVY-DUTY. CONSTRUCTED OF HIGH-QUALITY STAINLESS STEEL.”

- *304 stainless steel construction*
- *The special labor-saving hinges on the lid markedly reduce the labor intensity of operator in daily work, so that they handle it with ease.*
- *The “V” shaped vacuum chamber lid gasket made of high-density material guarantees the sealing performance of the machine in routine work.*



WARRANTY
PARTS AND LABOR



Authorized Dealer

VACUUM PACKAGING

DOUBLE CHAMBER VACUUM PACKAGING MACHINE



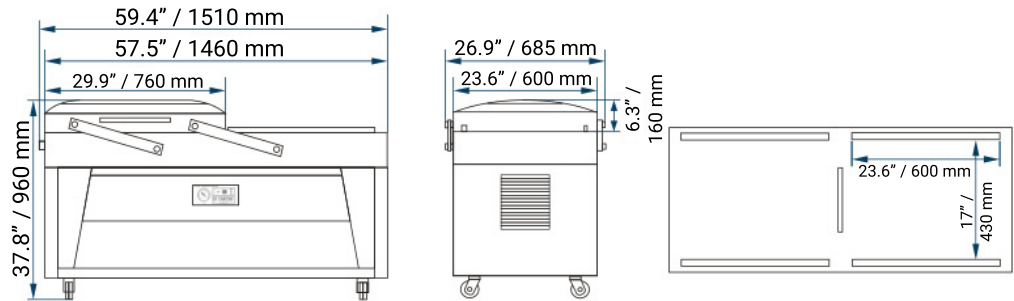
Control System: Computer control panel; there are many selection controls to choose from.

Vacuum Pump: Strict quality examination system ensures the heat of vacuum packaging machine to run smoothly.

Shake Avoiding System: A special designed shake avoiding device is being used, which reduces the noise when the machine is working.

“V” type lid gasket: The “V” type lid gasket is made from high density material, which prolongs the machine life.

TECHNICAL DRAWINGS AND DIMENSIONS



TECHNICAL SPECIFICATIONS

ITEM NUMBER	43632
MODEL	VP-CN-0600
PRODUCTION CYCLE (times/min)	1-2
POWER	1.5 kW
PUMP CAPACITY (m ³ /h)	20 m ³ /h (x2)
USEFUL CHAMBER SIZE	29.9" x 23.6" x 6.3" / 760 x 600 x 160 mm
SEALER DIMENSIONS	23.6" x 0.3" x 0.07" / 600 x 8 x 2 mm
ELECTRICAL	220V / 60Hz / 3Ph
NET WEIGHT	613 lbs. / 278 kg.
GROSS WEIGHT	732 lbs. / 332 kg.
OVER-ALL DIMENSIONS (WDH)	59.4" x 27" x 37.8" / 1510 x 685 x 960 mm
GROSS DIMENSIONS	63.4" x 30" x 46" / 1610 x 760 x 1170 mm

OMCAN INC.

Telephone: 1-800-465-0234
 Fax: (905) 607-0234
 E-mail: sales@omcan.com
 Website: www.omcan.com



Follow us to keep up to date with the latest news and offers

